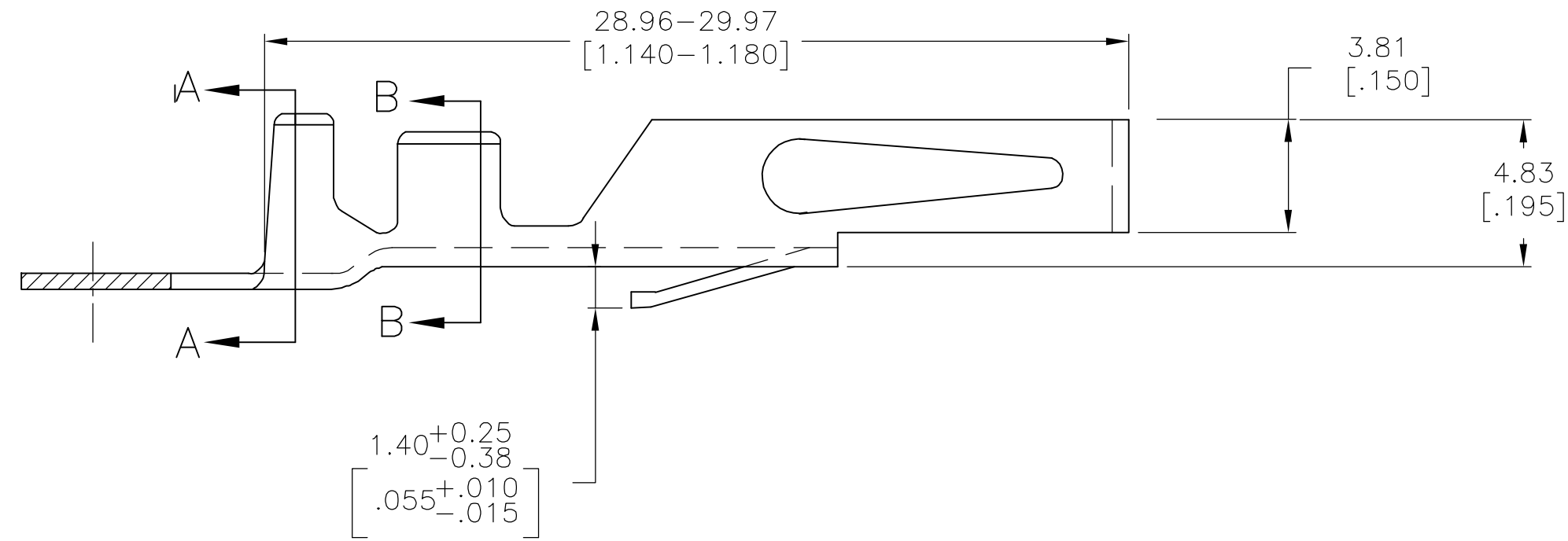
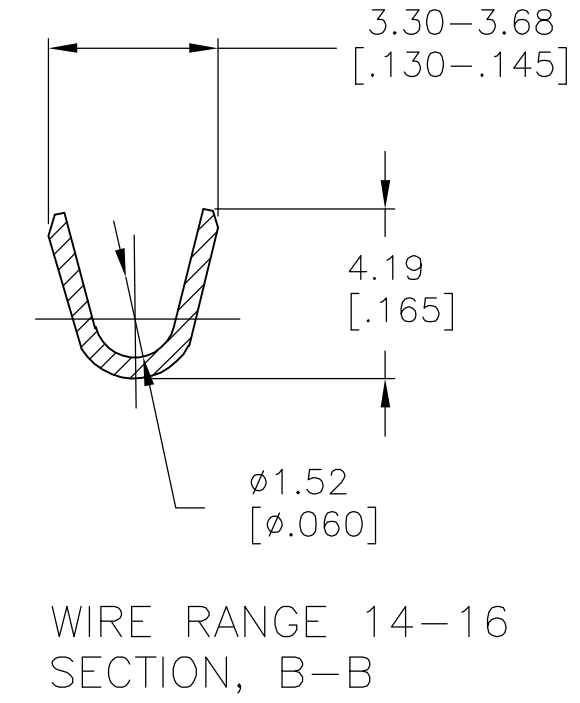
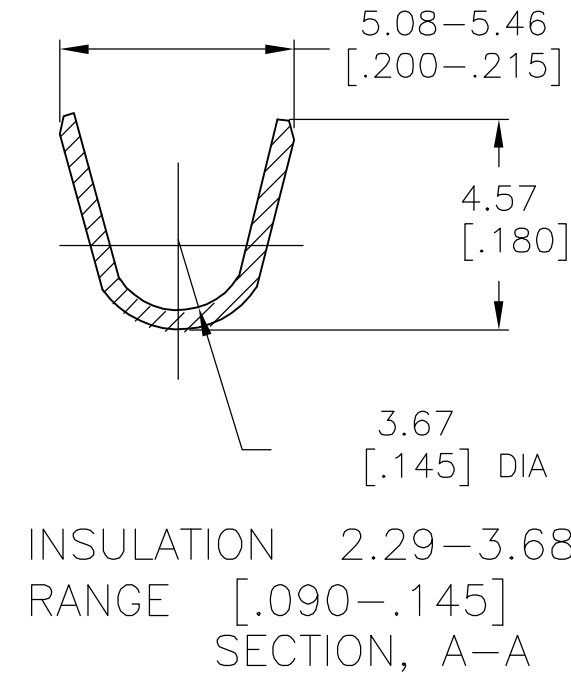
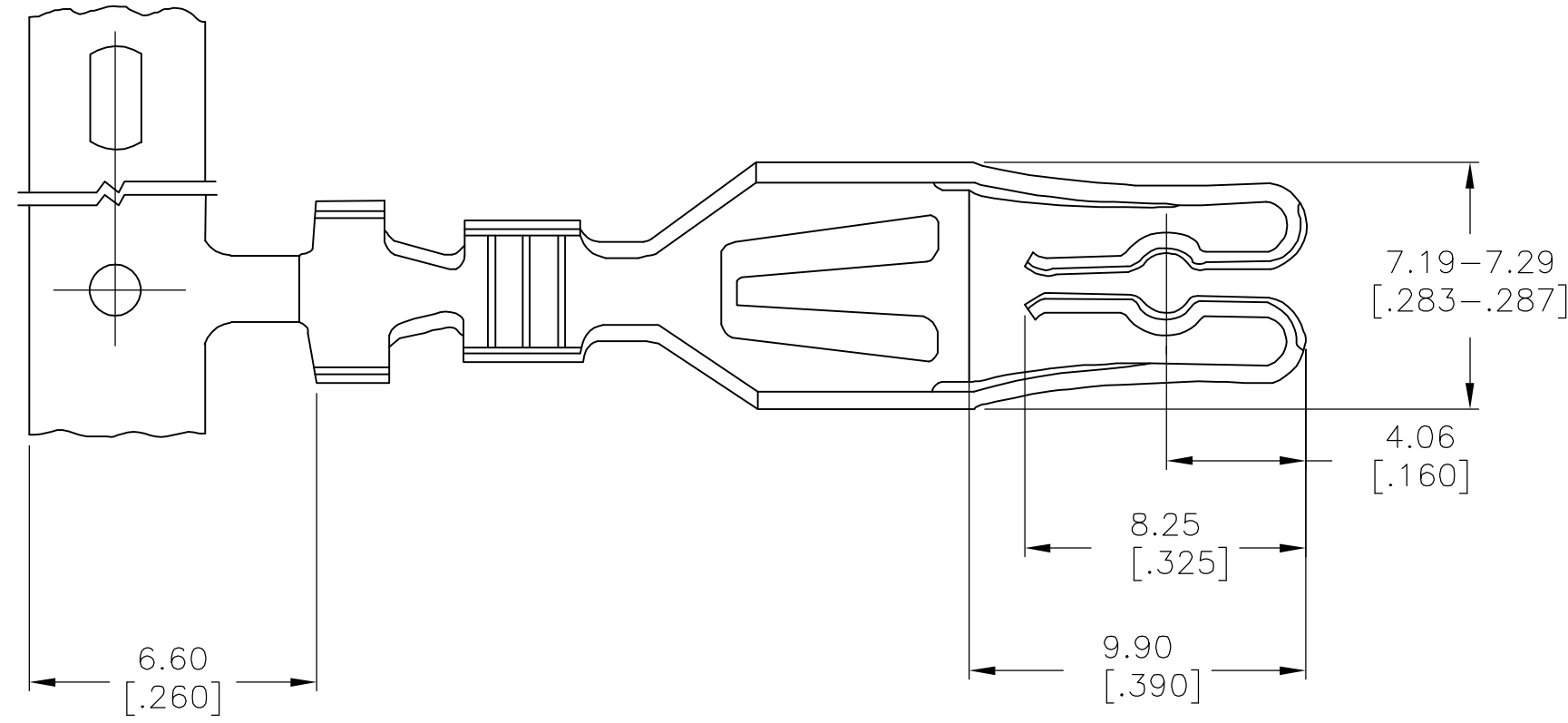


THIS DRAWING IS UNPUBLISHED. RELEASED FOR PUBLICATION
 © COPYRIGHT BY TYCO ELECTRONICS CORPORATION. ALL RIGHTS RESERVED.

LOC		DIST		REVISIONS			
P	LTR	DATE	DWN	APVD			
AD	00	J	EC 0G3C 0067 05	22NOV05	BSV	MM	



- ① 0.0038[.000150] BRIGHT TIN OVER 0.00076[.000030] NICKEL
- ② SILVER PLATE .0038[.000150] MIN THK ALL OVER.
- ③ 0.0038[.000150] MATTE TIN OVER 0.00076[.000030] NICKEL

③	5-530517-2
②	530517-3
①	530517-2
FINISH	PART NO

THIS DRAWING IS A CONTROLLED DOCUMENT.		DWN	15 MAY 75	 Tyco Electronics Corporation Harrisburg, Pa 17105-3608
DIMENSIONS: mm [INCHES]		CHK	15 MAY 75	
TOLERANCES UNLESS OTHERWISE SPECIFIED:		APVD	16 MAY 75	
0 PLC	± -	PRODUCT SPEC		NAME
1 PLC	± -	APPLICATION SPEC		
2 PLC	± -	WEIGHT		SIZE
3 PLC	± .005	CUSTOMER DRAWING		CAGE CODE
4 PLC	± -	SCALE		DRAWING NO
ANGLES	± -	SHEET		RESTRICTED TO
FINISH	-	REV		